



26790 Madison Ave.
Murrieta, CA 92562
888-304-0660

www.waterstoneco.com

ITEM NO:

929C

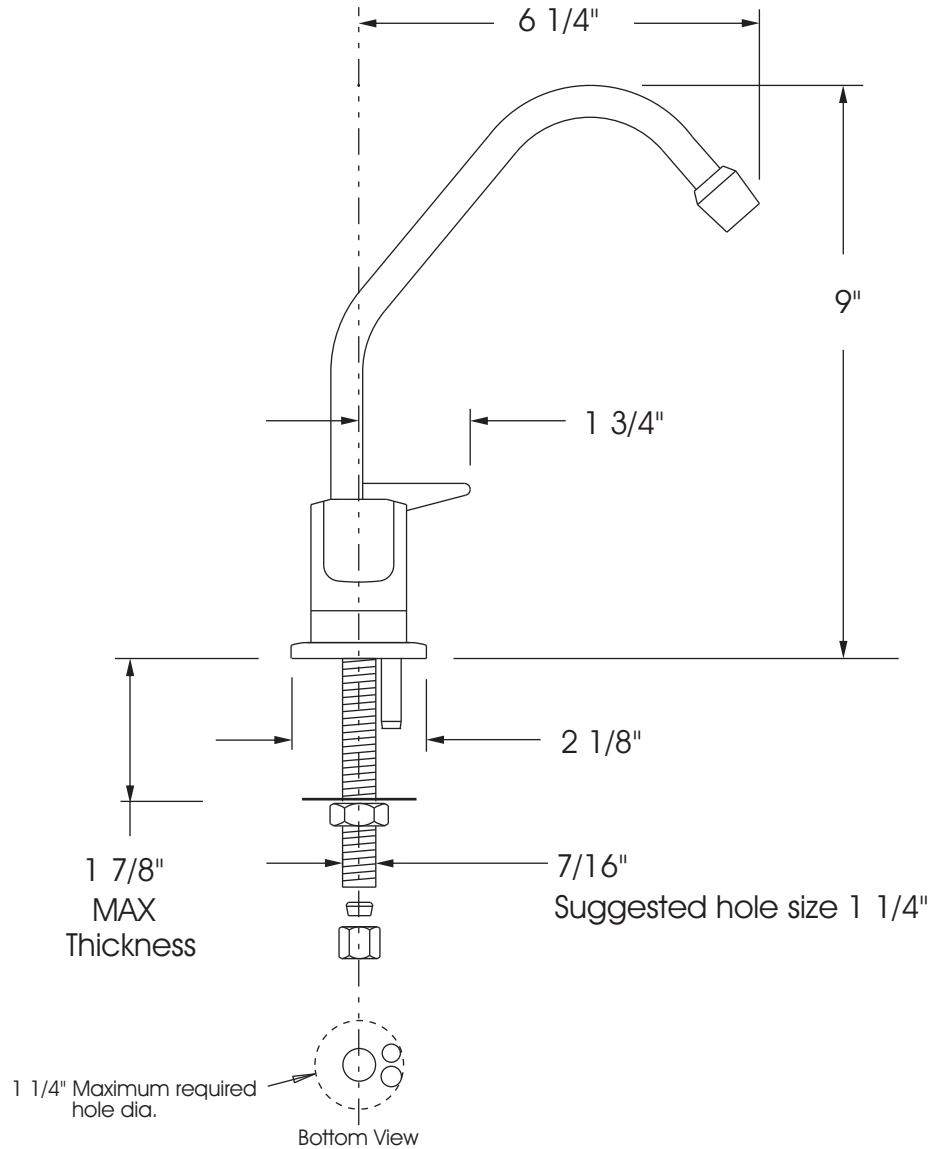
STYLE: STANDARD

INTENDED USE:
FILTRATION FAUCET - COLD ONLY W/AIR GAP

CUSTOMER NAME:

JOB NO:

DIMENSIONS MAY VARY AND ARE SUBJECT TO CHANGE. NO RESPONSIBILITY IS ASSUMED FOR USE OF SUPERCEDED OR VOIDED DATA.



Technical Specifications:

- Compatible with Reverse Osmosis
- Integrated Air Gap
- Solid brass construction.
- Lever handle provides momentary or continuous flow.
- 1.3 gpm maximum flow rate.
- 1/4" compression connection.
- 360 degree swivel spout.
- 1/4" and 3/8" Air Gap connections.

Codes/Standards Applicable

Specified model meets or exceeds the following:

- ASME A112.18.1
- CSA B125.1
- NSF 61

DATE: 1-11-08



Made in the U.S.A.