



26790 Madison Ave.  
Murrieta, CA 92562  
888-304-0660

www.waterstoneco.com

ITEM NO:

919C

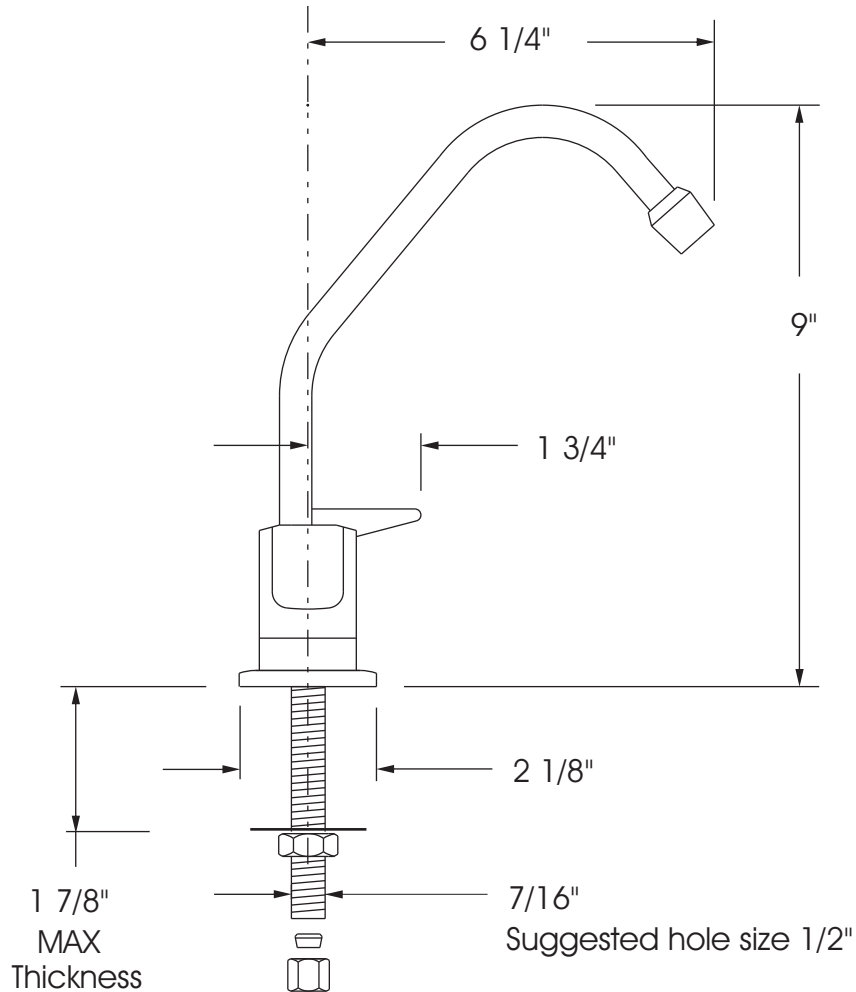
STYLE: **STANDARD**

INTENDED USE:  
FILTRATION FAUCET - COLD ONLY

CUSTOMER NAME:

JOB NO:

DIMENSIONS MAY VARY AND ARE SUBJECT TO CHANGE. NO RESPONSIBILITY IS ASSUMED FOR USE OF SUPERCEDED OR VOIDED DATA.



**Technical Specifications:**

- Compatible with Reverse Osmosis.
- Solid brass construction.
- Lever handle provides momentary or continuous flow.
- 1.3 gpm maximum flow rate.
- 1/4" compression connection.
- 360 degree swivel spout.

**Codes/Standards Applicable**

Specified model meets or exceeds the following:

- ASME A112.18.1
- CSA B125.1
- NSF 61

DATE: 1-11-08



**Made in the U.S.A.**